

DHUBVENTILE / GLOVE CONTROL VALVES / VANNE DE RÉGULATION À SOUFFLET

Baureihe/Series/Série

Ausführung

**Bodenauslaufventil,
fernbetätigt**

BAVM/F

Design

**Drain valve,
remote actuated**

Construction

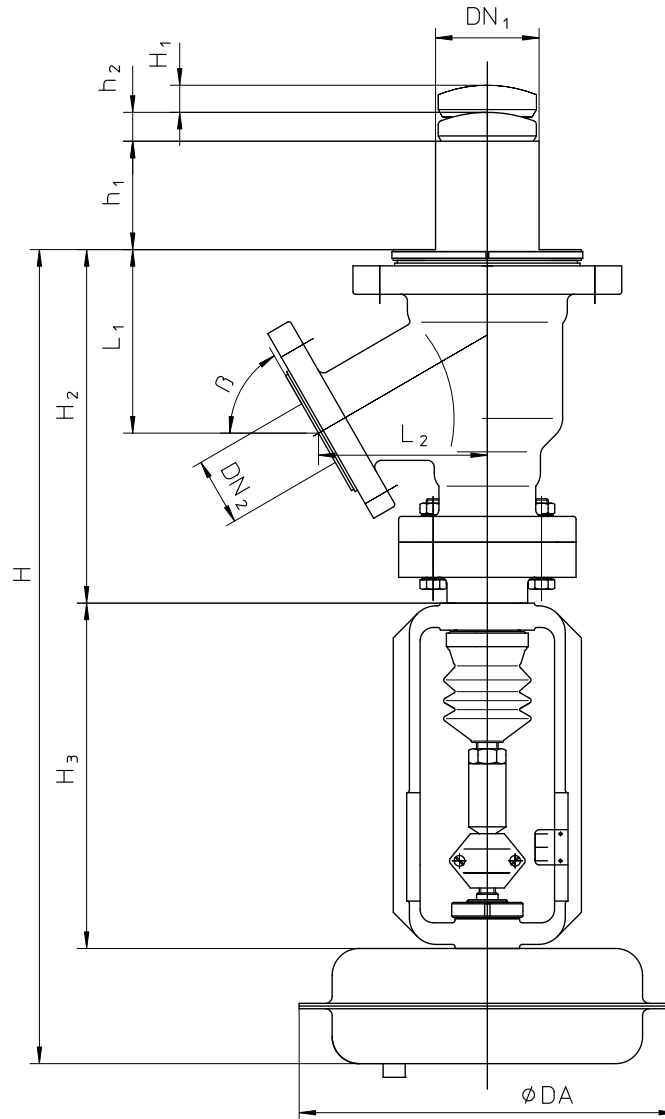
**Vanne de fond de cuve,
commande pneumatique**



Modification techniques possibles sans préavis!
 Graphique non à l'échelle!
 Dimensions variables uniquement revêtues d'une signature!

This leaflet is subject to alteration!
 Draw not to scale!
 Certified for construction purposes only when signed!

Technische Änderungen vorbehalten!
 Nicht maßstäblich!
 Maße nur mit Unterschrift verbindlich!



	DN ₁	DN ₂	L ₁	L ₂	H	H ₂	H ₃	h ₁	h ₂	Ø DA	β	H ₁ [*]
	[mm] [(inch)]	[mm] [(inch)]	[mm] [(inch)]	[mm] [(inch)]	[mm] [(inch)]	[mm] [(inch)]	[mm] [(inch)]	[mm] [(inch)]	[mm] [(inch)]	[mm] [(inch)]	[Grad] [(degree)]	[mm] [(inch)]
80/50	80 (3.15)	50 (2)	135,5 (5.33)	125,5 (4.94)		261 (10.26)		80 (3.15)	21 (0.83)		60°	20 (0.79)
100/80	100 (3.94)	80 (3.15)	143 (5.63)	152 (5.98)		256 (10.08)		90 (3.54)	11 (0.43)		45°	30 (1.18)
150/100	150 (5.91)	100 (3.94)	188 (7.4)	162 (6.37)		279 (10.98)		100 (3.94)	10 (0.39)		45°	30 (1.18)

H₁^{*} = Hub / stroke / course